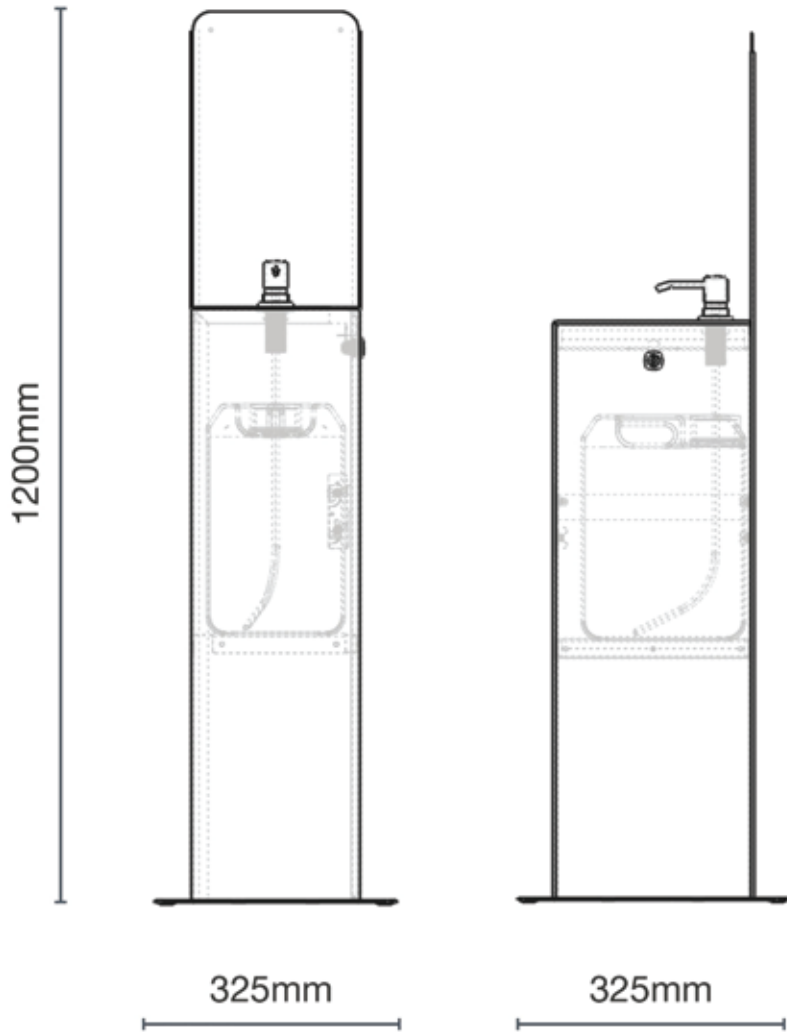




**ROOM
SHIELD™**

Keeping You Safe

DISPENSERS



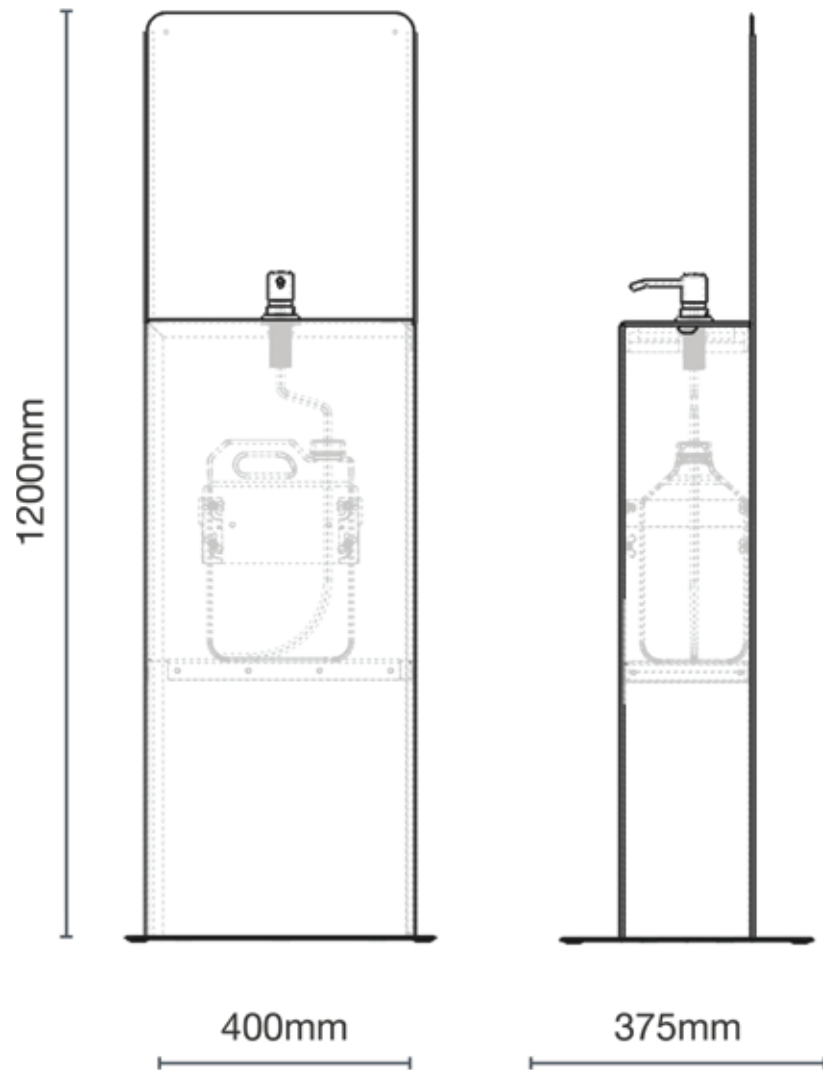
Pump Action
Floor Standing
5 Litre Slimline
Sanitiser Station 1



- ⊕ Delivered ready to use
- ⊕ Portable, scalable and modular
- ⊕ Bespoke branded options

- ⊕ Dispensing capacity 1 litre to 5 litres
- ⊕ Lockable unit - keeps refills safe
- ⊕ Easy refill system

- ⊕ Easy to use
- ⊕ Sturdy steel construction



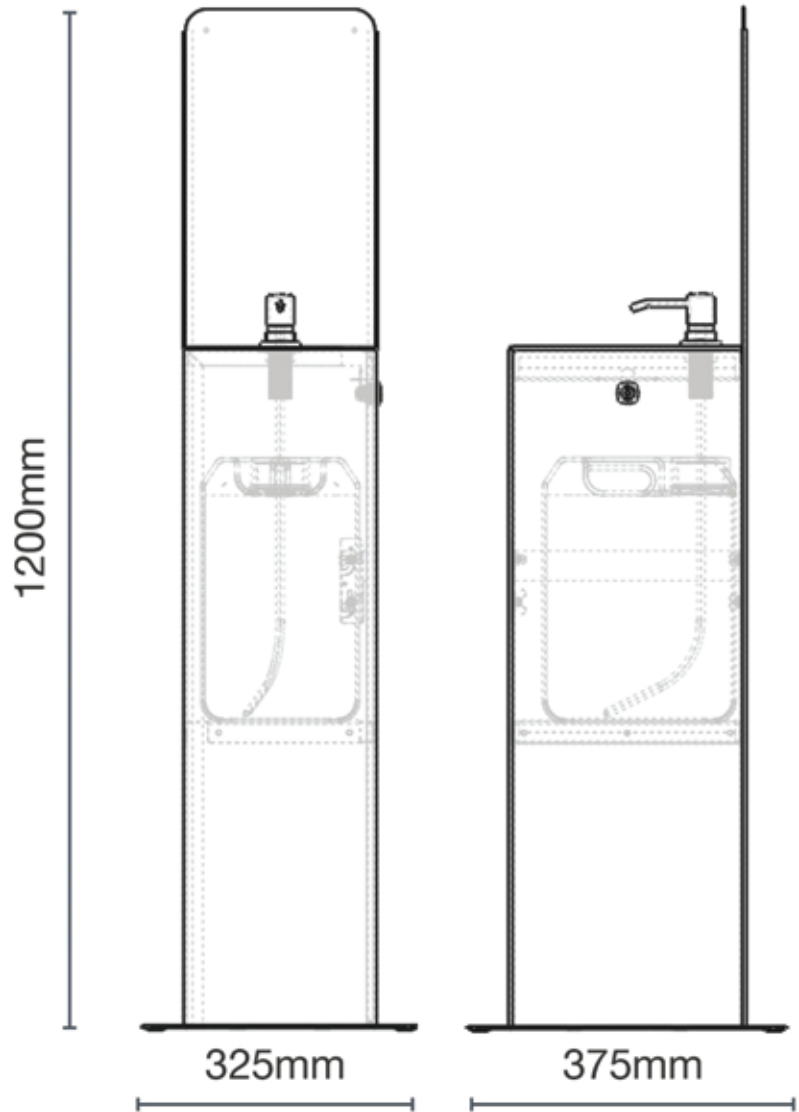
Pump Action
Floor Standing
5 Litre Sanitiser Station 2



- ⊕ Delivered ready to use
- ⊕ Portable, scalable and modular
- ⊕ Bespoke branded options

- ⊕ Dispensing capacity 1 litre to 5 litres
- ⊕ Lockable unit - keeps refills safe
- ⊕ Easy refill system

- ⊕ Easy to use
- ⊕ Sturdy steel construction



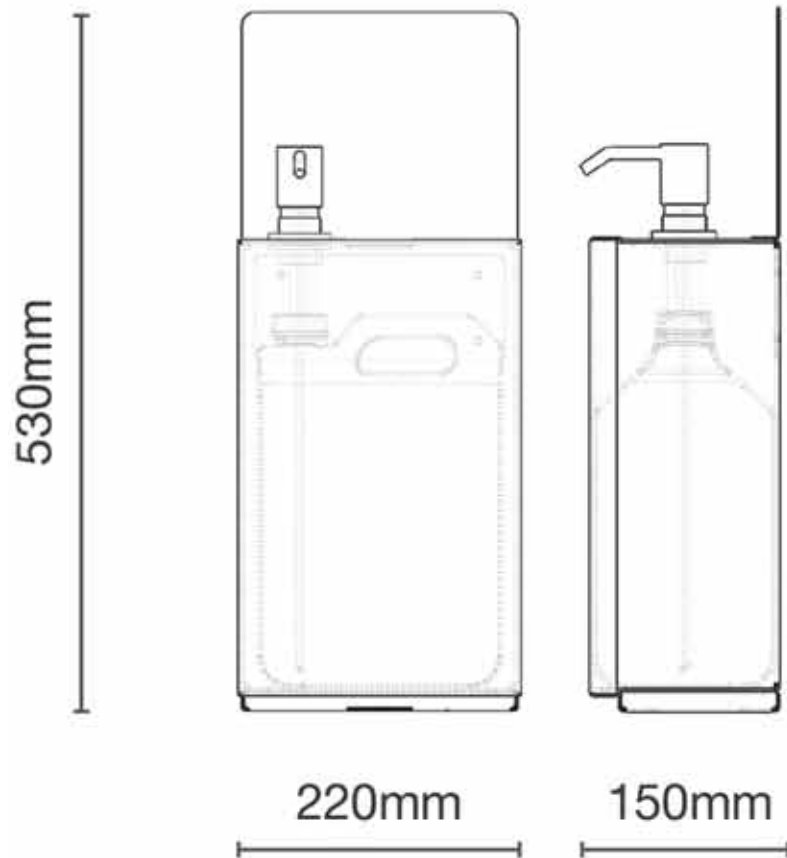
Pump Action
Floor Standing
10 Litre Sanitiser Station 3



- ⊕ Delivered ready to use
- ⊕ Portable, scalable and modular
- ⊕ Bespoke branded options

- ⊕ Dispensing capacity 1 litre to 10 litres
- ⊕ Lockable unit - keeps refills safe
- ⊕ Easy refill system

- ⊕ Easy to use
- ⊕ Sturdy steel construction



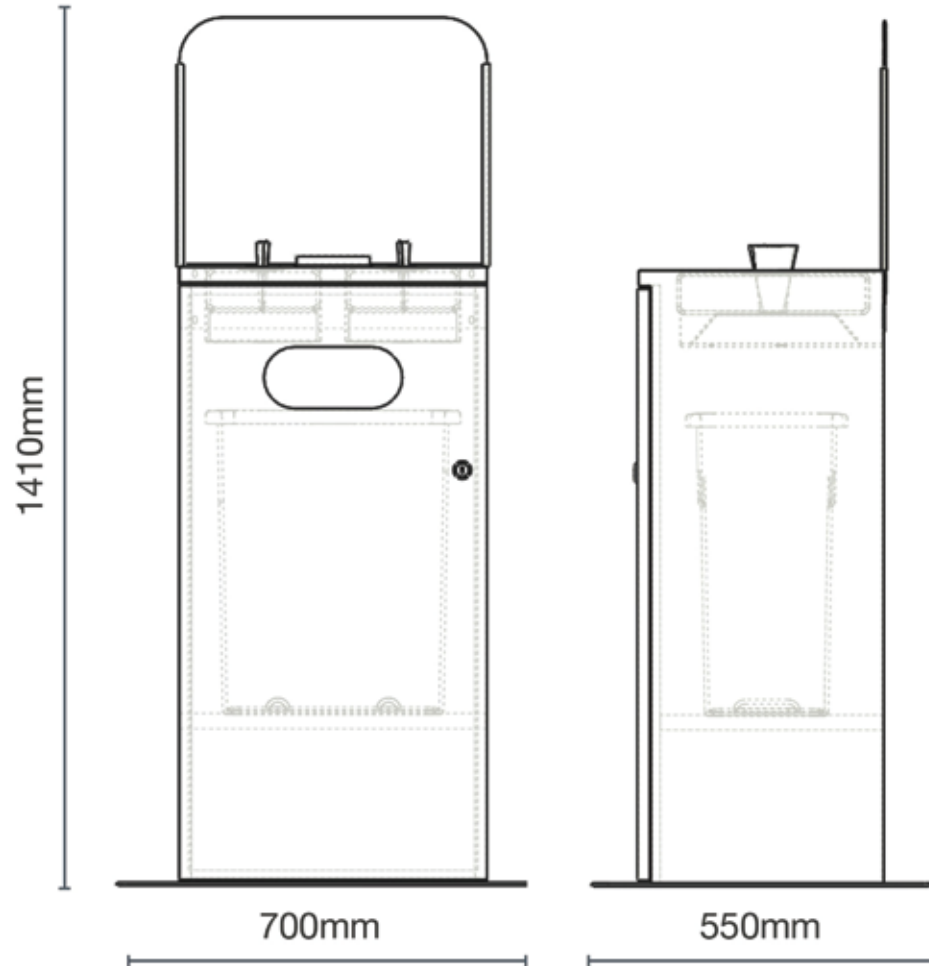
Pump Action Counter Top or Wall Mounted 5 Litre Sanitiser Station 4



- ⊕ Delivered ready to use
- ⊕ Portable, scalable and modular
- ⊕ Bespoke branded options

- ⊕ Dispensing capacity 1 litre to 5 litres
- ⊕ Lockable unit - keeps refills safe
- ⊕ Easy refill system

- ⊕ Easy to use
- ⊕ Sturdy steel construction



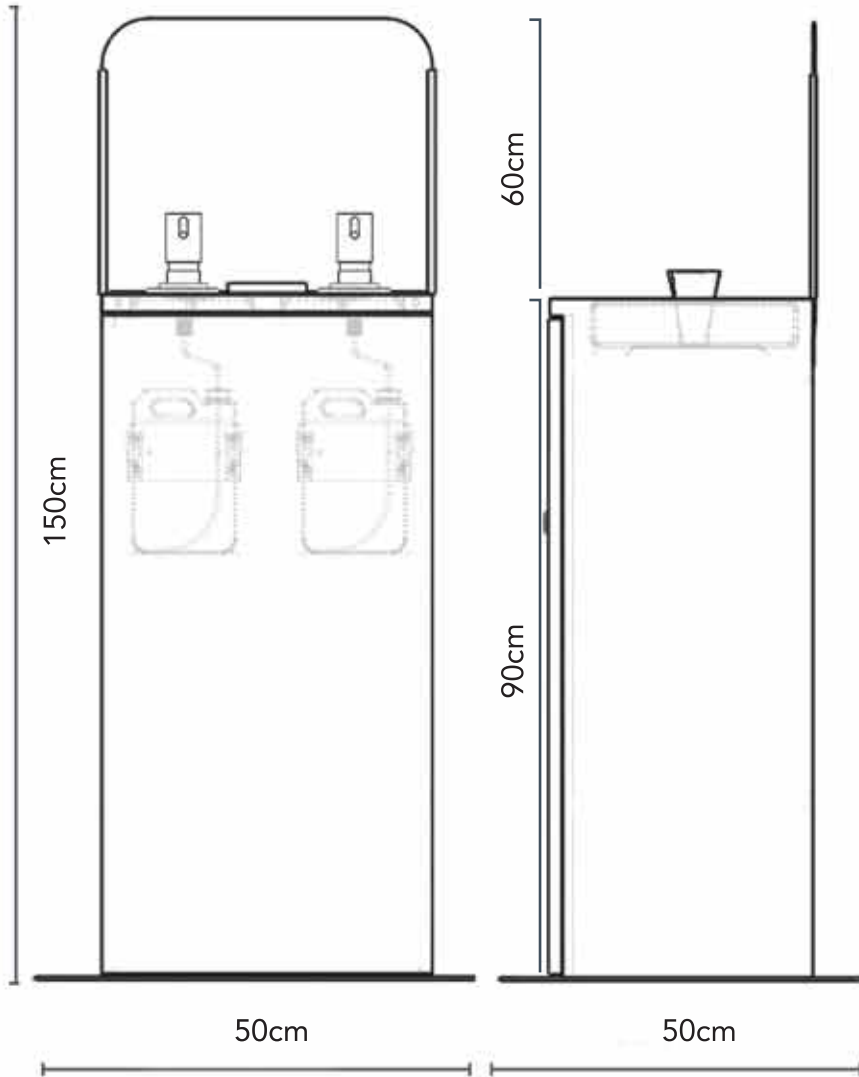
Floor Standing Anti-bacterial Wipe Station 5



- ⊕ Delivered ready to use
- ⊕ Portable, scalable and modular
- ⊕ Bespoke branded options

- ⊕ Disposal bin included
- ⊕ Lockable unit - keeps refills safe
- ⊕ Twin wipe pack dispenser

- ⊕ Easy to use & refill
- ⊕ Sturdy steel construction
- ⊕ Spring loaded wipe push feed



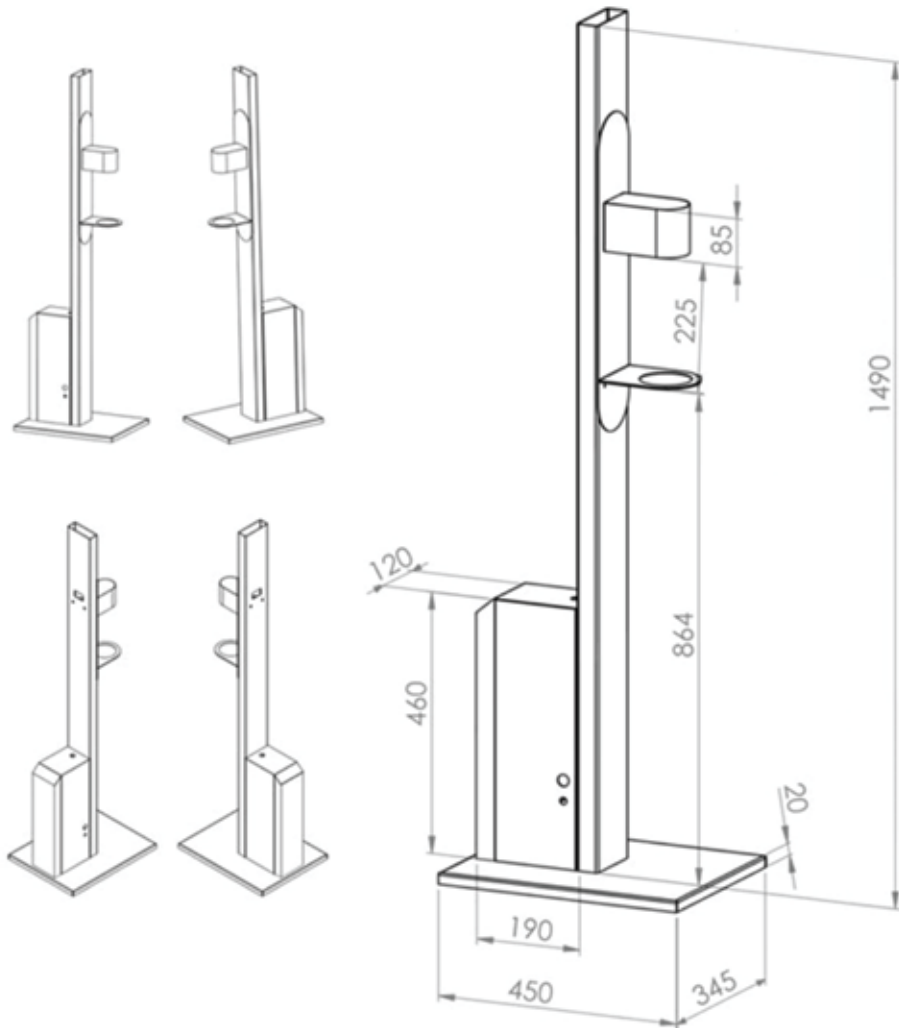
Pump Action
Floor Standing
10 Litre Sanitiser Station 6



- ⊕ Delivered ready to use
- ⊕ Portable, scalable and modular
- ⊕ Bespoke branded options

- ⊕ Dispensing capacity 10 litres
- ⊕ Lockable unit - keeps refills safe
- ⊕ Easy refill system

- ⊕ Easy to use
- ⊕ Sturdy steel construction



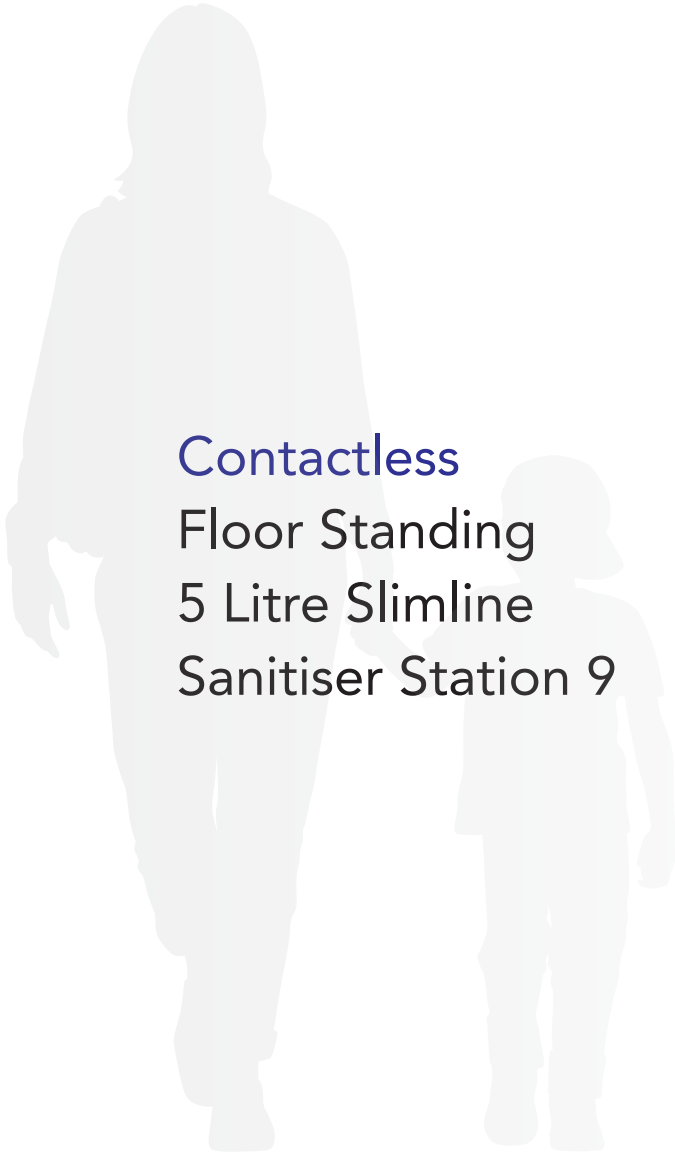
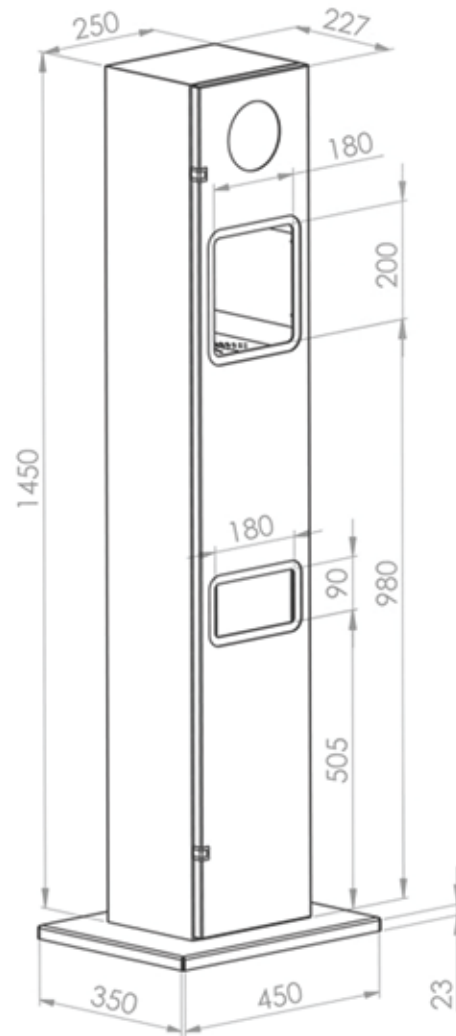
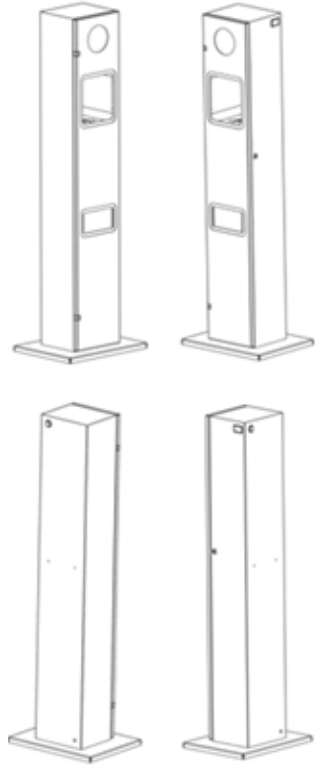
Contactless
Floor Standing
1-2 Litre Slimline
Sanitiser Station 8



- ⊕ Delivered ready to use
- ⊕ Portable, scalable and modular
- ⊕ Bespoke branded options

- ⊕ Battery or 230v operated
- ⊕ Lockable unit - keeps refills safe
- ⊕ Easy refill system

- ⊕ Easy to use
- ⊕ Sturdy steel construction
- ⊕ Small footprint



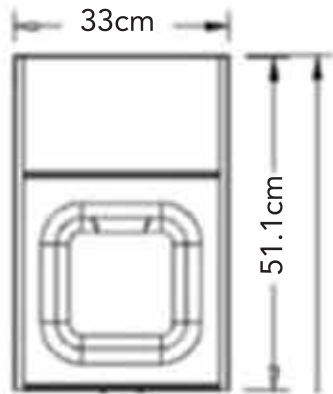
Contactless Floor Standing 5 Litre Slimline Sanitiser Station 9



- ⊕ Delivered ready to use
- ⊕ Portable, scalable and modular
- ⊕ Bespoke branded options

- ⊕ Battery or 230v operated
- ⊕ Lockable unit - keeps refills safe
- ⊕ Easy refill system

- ⊕ Easy to use
- ⊕ Sturdy steel construction
- ⊕ Small footprint



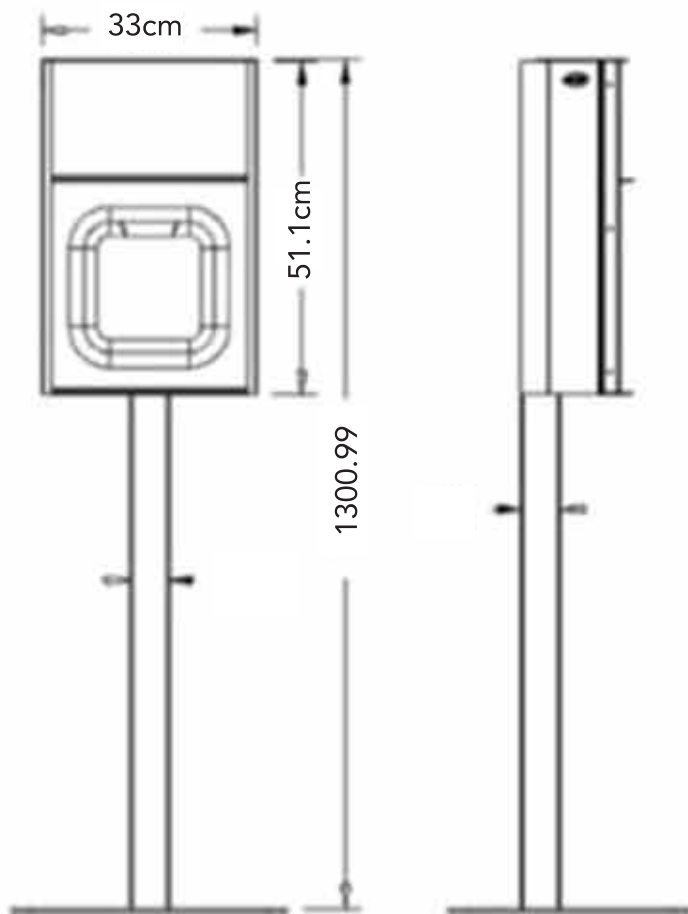
Contactless
Wall Mounted
1 Litre Sanitiser Station 11



- ⊕ Delivered ready to use
- ⊕ Portable, scalable and modular
- ⊕ Bespoke branded options

- ⊕ Automatic Sanitiser - 1L
- ⊕ Removable Drip tray
- ⊕ Multiple and bespoke sizes

- ⊕ Lockable unit - Keep refills safe
- ⊕ Soft close hinges
- ⊕ Storage for upto 8 refills



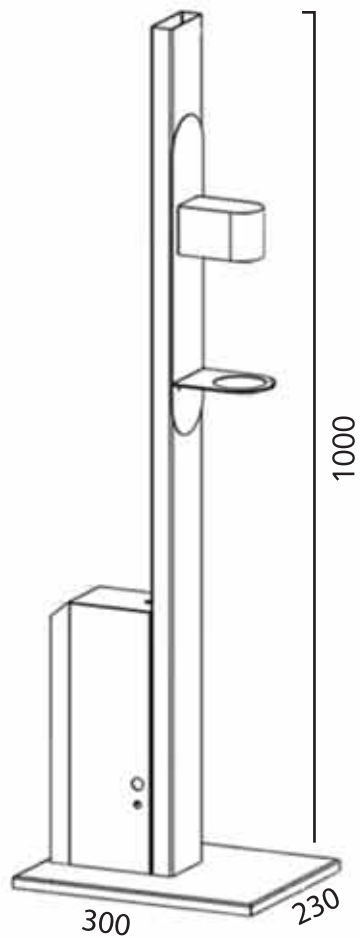
Contactless
Floor Standing
1 Litre Sanitiser Station 12



- ⊕ Delivered ready to use
- ⊕ Portable, scalable and modular
- ⊕ Bespoke branded options

- ⊕ Automatic Sanitiser - 1L
- ⊕ Removable Drip tray
- ⊕ Multiple and bespoke sizes

- ⊕ Lockable unit - Keep refills safe
- ⊕ Soft close hinges
- ⊕ Storage for upto 8 refills



Contactless Childrens Range 1-5 Litre Slimline Sanitiser Station 13



- ⊕ Delivered ready to use
- ⊕ Portable, scalable and modular
- ⊕ Bespoke branded options

- ⊕ Battery or 230v operated
- ⊕ Lockable unit - keeps refills safe
- ⊕ Easy refill system

- ⊕ Easy to use
- ⊕ Sturdy steel construction
- ⊕ Small footprint



**ROOM
SHIELD™**

Keeping You Safe

info@room-shield.co.uk

www.room-shield.co.uk

Room Shield Limited, Unit 1, Castle Court 2, Castlegate Way, Dudley, DY14RH